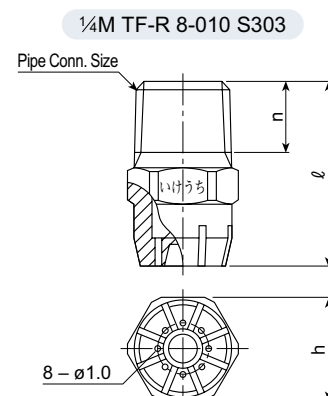
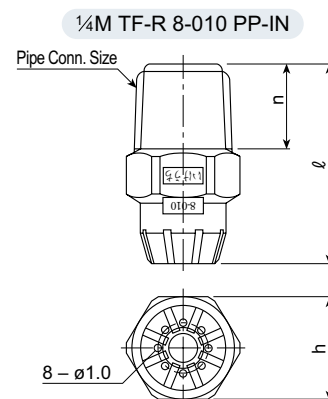
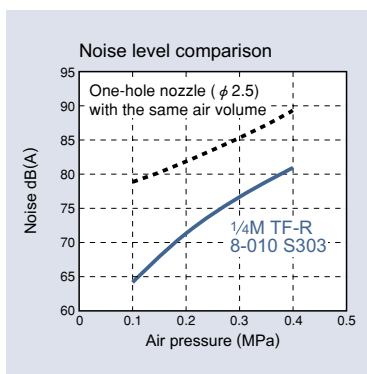
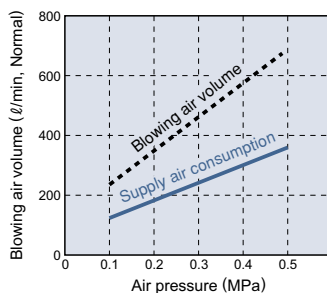


TAIFUJet®-series (Round type)

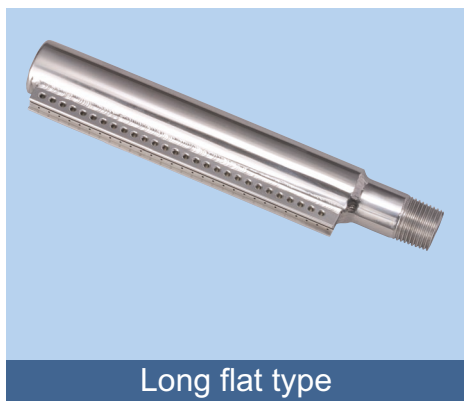
TAIFUJet®-series (Round type)	
Material	• PP (polypropylene), SUS303 (Stainless steel 303)

Series	Pipe Conn. Size	Dimensions(mm)			Mass (g)
		ℓ	h	n	
1/4M TF-R 8-010 PP-IN	1/4M	27	14	11.5	2
1/4M TF-R 8-010 S303	1/4M	25	14	9.5	15

[Note] Appearance and dimensions may be slightly changed depending on materials and nozzle codes.



Special Products



Please inquire with us for details.

How to order

Please inquire or order for a specific nozzle on this coding system.

① Plastic air nozzle, Flat type

1/4M TF-F 42 - 16 - 010 ABS

② Stainless steel air nozzle, Flat type

1/4M TF-F 42 - 16 - 010 S304
 1/4M TF-F 50 - 16 - 012 S304

③ Plastic air nozzle, Round type

1/4M TF-R 8 - 010 PP-IN

④ Stainless steel air nozzle, Round type

1/4M TF-R 8 - 010 S303